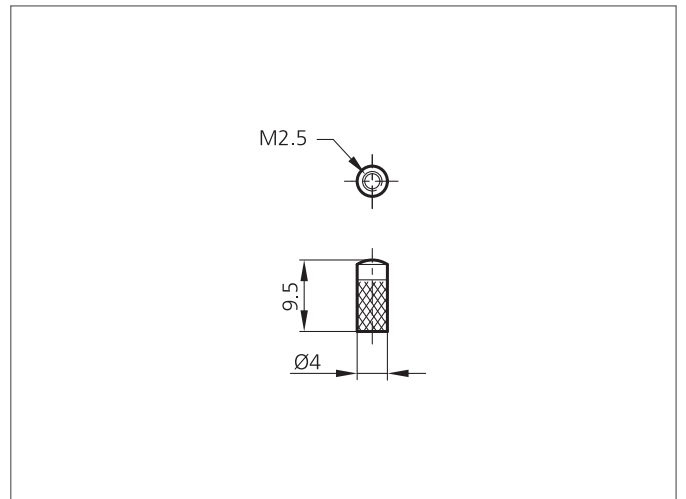


## VO M 2.5 Auxiliary Optic

- For scanning range increase with axial light outlet
- Metal casing



TECHNICAL INFORMATION (typ.)		+20°C, 24V DC
Size		M2,5 (thread)
Light outlet		axial
For		Plastic fiber optics
Casing material		metal

